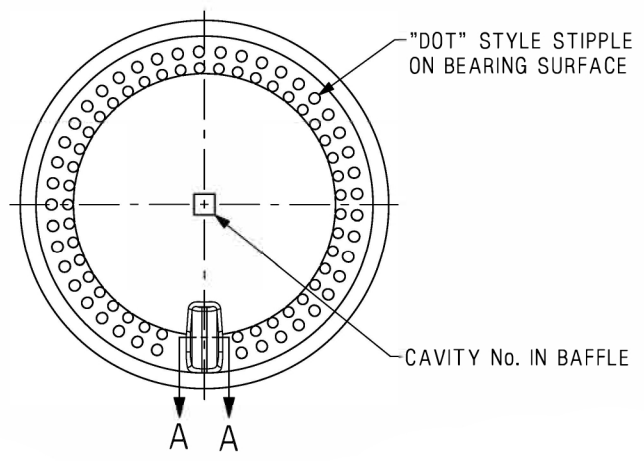
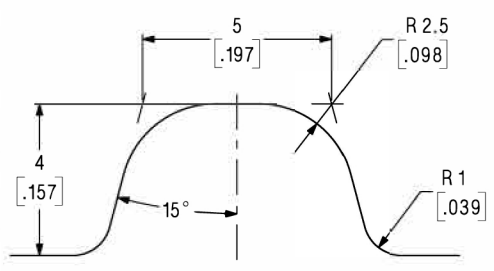
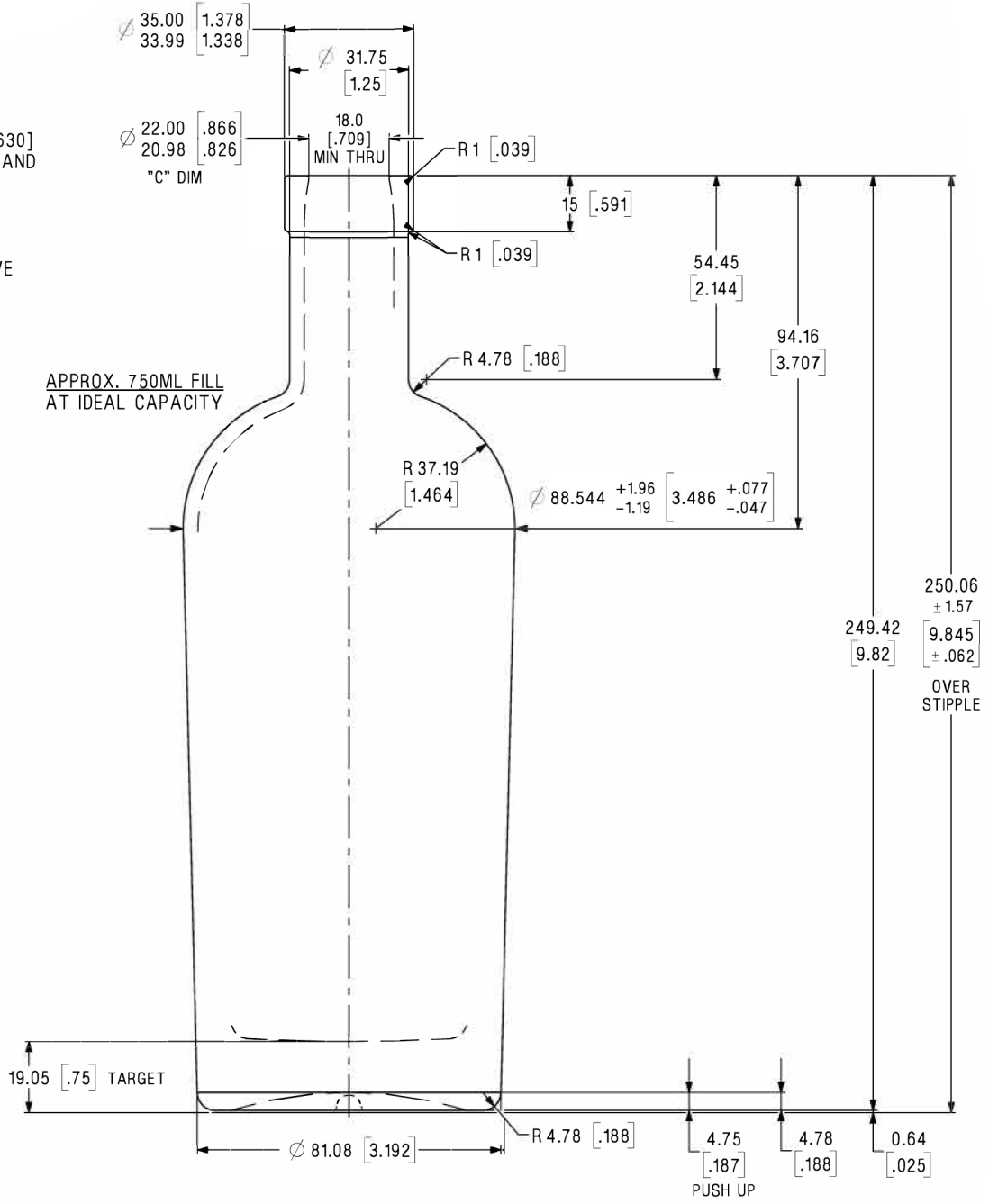


DRAWING

"C" DIMENSION CONTROLS OPENING TO 16.0 [.630] DOWN FROM BOTTLE ENTRY

OPENING FROM 3.0 [.118] DOWN TO 16.0 [.630] DOWN TO BE NO LESS THAN 20.98 [.826] AND NO GREATER THAN 22.0 [.866]

FOR GOOD CORK FIT - CONTROL OPENING BELOW 3.0 [.118] DOWN TO BE SLIGHTLY GREATER THAN SMALLEST OPENING ABOVE



SCALE FULL	BY	DATE	CHK	O'FLOW CAP.	777.84 ml ± 7.4
750 ML CANTON				WEIGHT	714.4 g APPROX.
				FINISH	CORK
Liquor Bottle				DWG. NO.	SK-1865